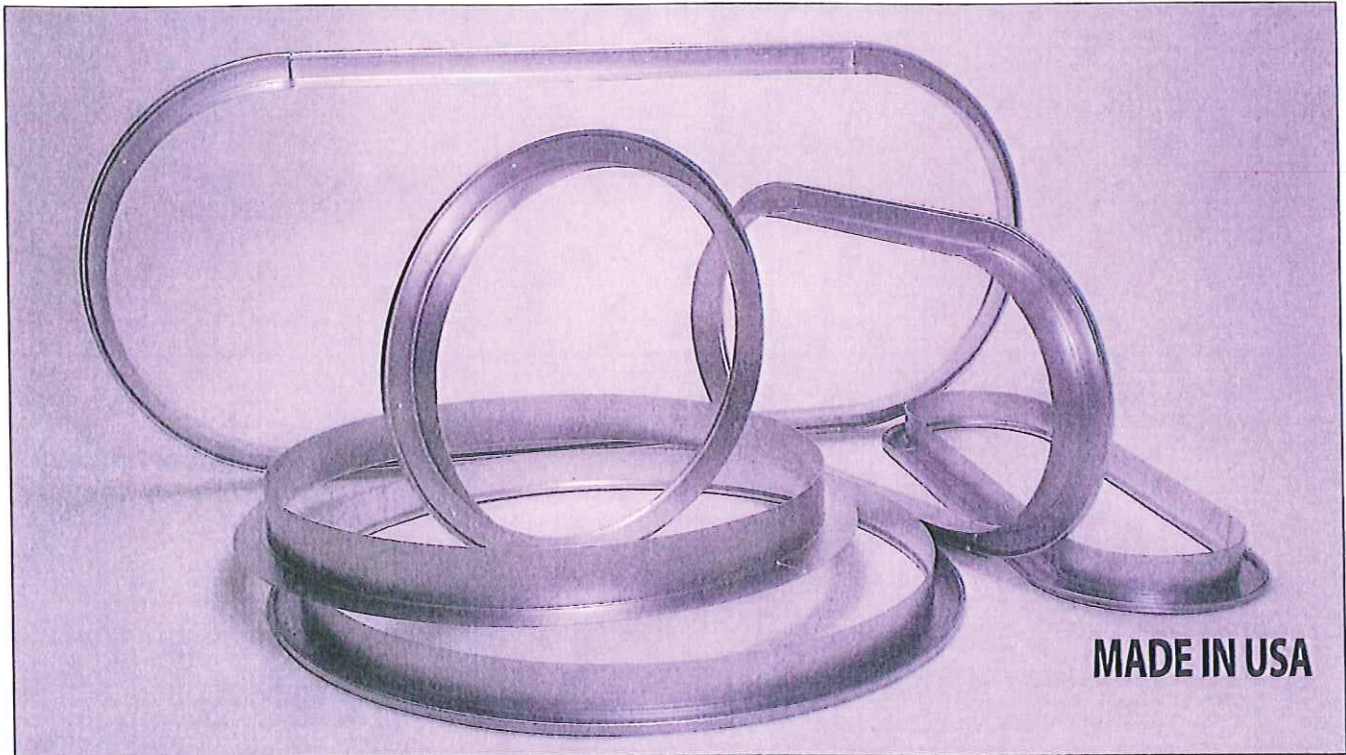


The logo for DuraFlange features the word 'DURA' in blue and 'FLANGE' in red, both in a bold, italicized font. To the left of the text is a white illustration of a flange with four bolt holes. Below the main text, the words 'ROUND and OVAL' are written in white on a black, rounded rectangular background.

DURA FLANGE
ROUND and OVAL

Equivalent to SMACNA T-25 RATING



DuraFlange is the newest, most innovative
ROUND and OVAL Duct Connector

Years of development have made this product superior in
weight, rigidity, ease of installation, and appearance.



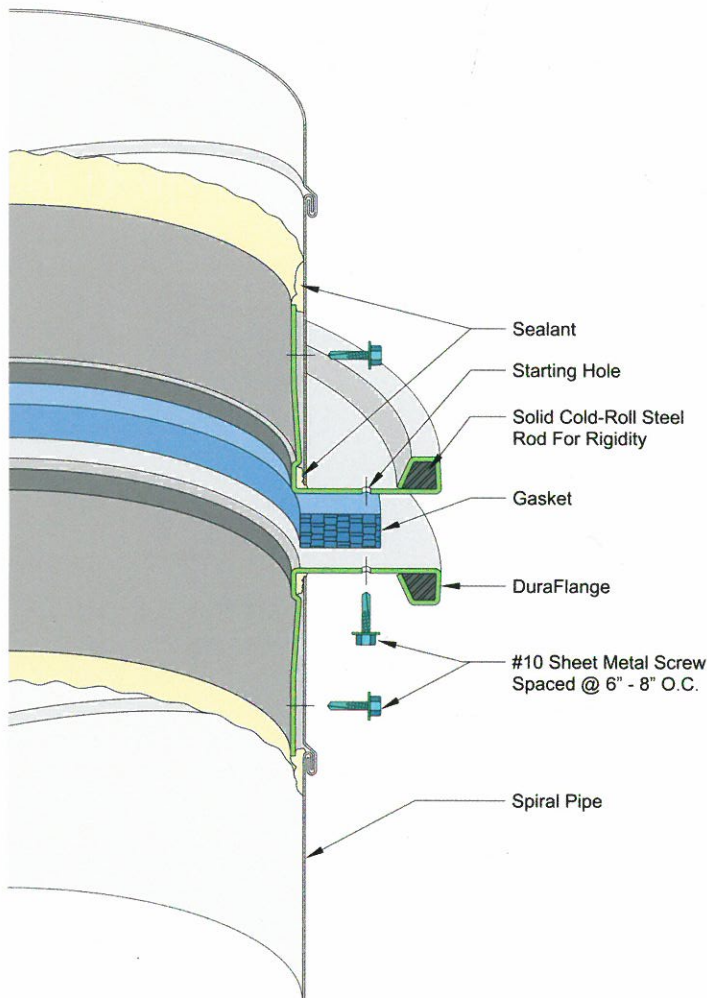
TECHNICAL DATA

The patented DuraFlange design incorporates a wire rod into the outside perimeter of the flange for additional rigidity, making it ideal for oval and large size round ductwork. SMACNA encourages the use and development of new HVAC technology and components. While SMACNA does not evaluate or endorse any proprietary products, they set guidelines and standards for products to meet. According to a study conducted by a certified structural engineer, per SMACNA 2005 Duct Construction Manual and Guidelines, the DuraFlange small profile has an Ei reinforcement rating of 43 equal to 1½ x 1½ x 3/16 reinforcement angle Iron, and the large profile has an Ei Reinforcement Rating of 90 equal to 2 x 2 x 3/16 Reinforcement Angle Iron.



Profile Type	Ei Rating	Reinforcement Angle Iron Size	SMACNA 2005 Reinforcement Rating	
			Oval	Round
Small	43	1½ x 1½ x 3/16	H	C
Large	90	2x2x3/16"	J	E

EASY INSTALLATION



DuraFlange

Designed with the end user in mind, the DuraFlange's innovative features dramatically reduce installation times. A pocket formed at the base of the DuraFlange allows for the addition of caulking material to ensure an airtight seal between the duct and the flange. The Oval DuraFlange has pre-punched holes for easy fastening and the Round DuraFlange comes with markings to make drilling and fastening easy.

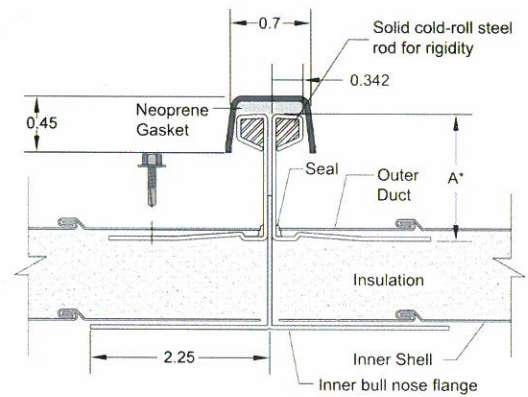
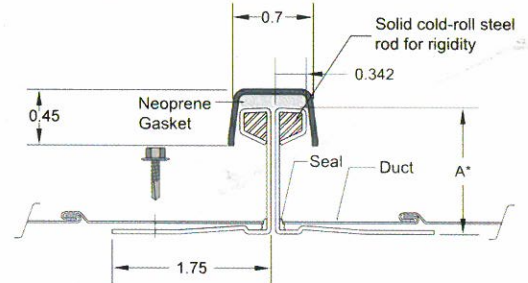
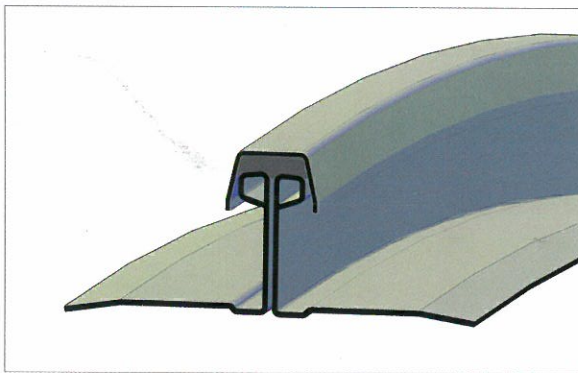


DC Ring

When used in combination with round DuraFlange, the DC Ring allows a single individual to connect duct sections without the use of any additional screws or gasket material.

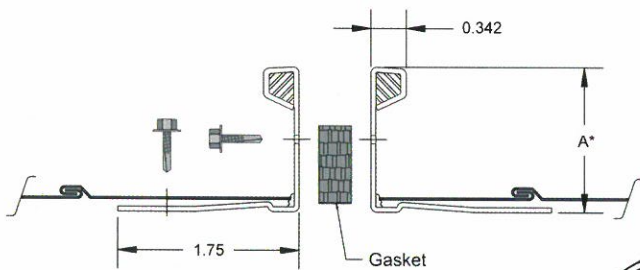
DC RING

The DC ring is a three-piece locking and connecting system, which provides an airtight seal without the use of additional gasket material or fasteners. The ring is furnished with an internal neoprene gasket, which presses against the perimeter of the flange when the ring is tightened, sealing the joint. The DC Ring is constructed of 18 GA material (Aluminum, Stainless Steel, Galvanized, Paint Lok, and PVS Coated), and is available in both single and double-wall applications.

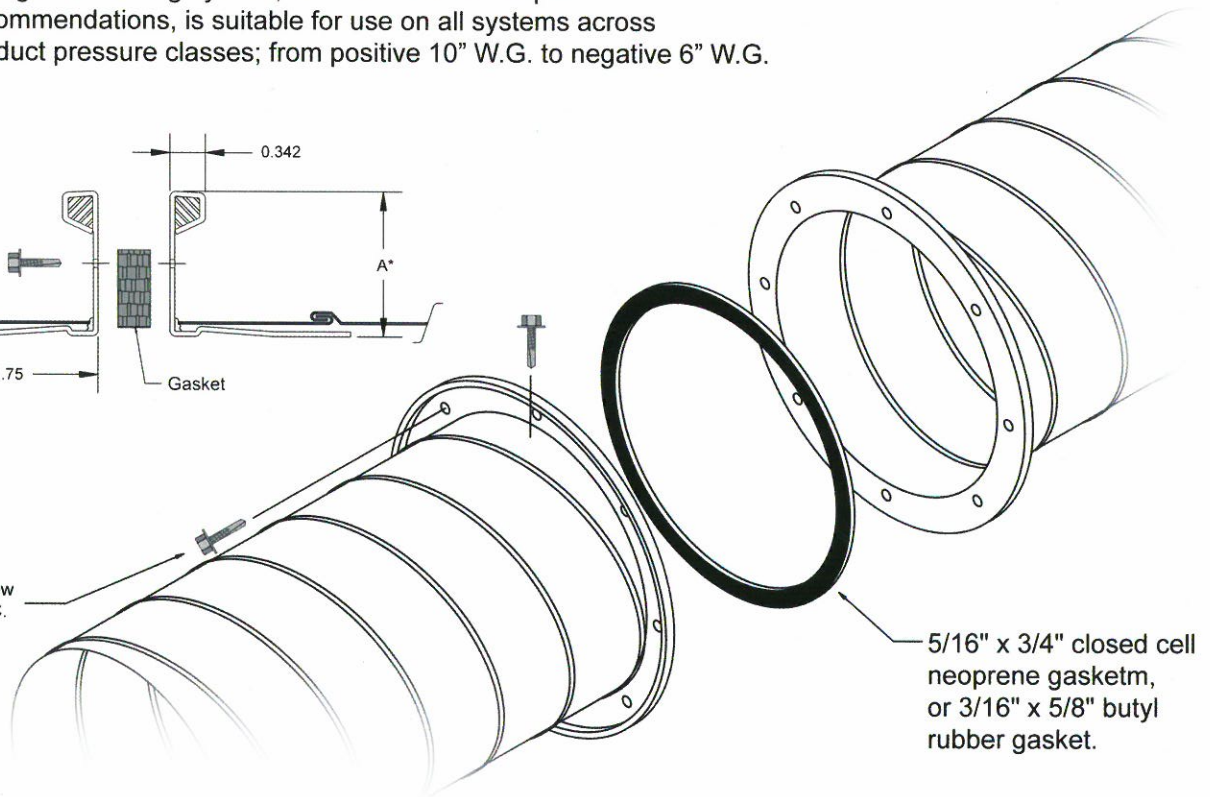


DuraFlange - SINGLE WALL

The use of DuraFlange connecting system, installed and sealed per manufacturer's recommendations, is suitable for use on all systems across a range of internal duct pressure classes; from positive 10" W.G. to negative 6" W.G.



#10 Sheet Metal Screw Spaced @ 6" - 8" O.C.

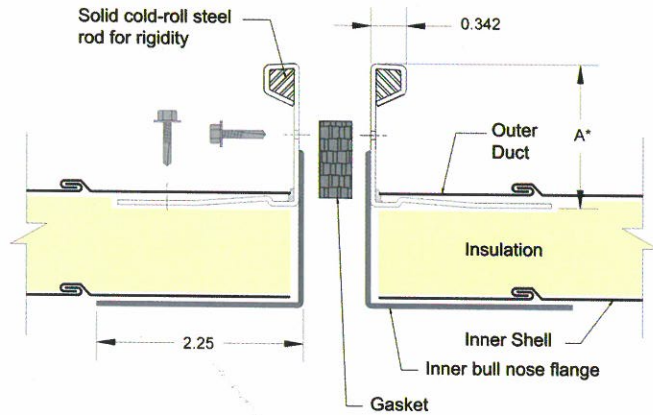


5/16" x 3/4" closed cell neoprene gasketm, or 3/16" x 5/8" butyl rubber gasket.



DURAFLANGE HAS THE POTENTIAL TO REVOLUTIONIZE YOUR BUSINESS. SEE FOR YOURSELF!

DuraFlange - DOUBLE WALL



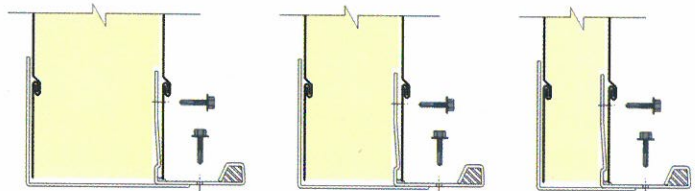
A* - Small Profile 1.0"L
 - Large Profile 1.4"L

Small Profile = 8"dia. Thru 36"dia.
 Large Profile = 26"dia. Thru 120"dia.

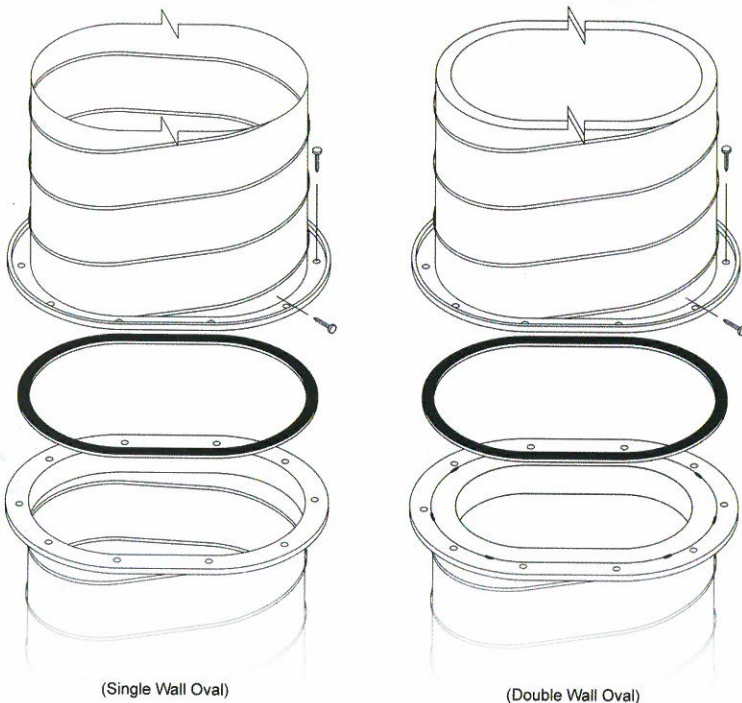
Aluminum, Paintlock, and Stainless Steel available upon request.

DuraFlange Insulation Guard is constructed of 20GA. and 22GA. Material and is available for 1", 1 1/2", and 2" Insulation.

The method of attachment for DuraFlange Insulating Guard may be either tac or spot Welding.



DuraFlange - OVAL



DuraFlange is also available in oval configurations. The rigidity of the DuraFlange connections system makes it ideal for use with oval duct work, increasing the structural integrity of the duct section reducing the amount of reinforcement needed. This saves amount of time and labor necessary to install both the flange and the duct section.

Flange constructed from 18ga material, and is available in sizes: Major Dim. : 12" - 120"

