



UPC#036

Insulated UL 181 Class 1 Air Duct Assembly

Cut to Length with Factory Installed Collars

ATCO RUBBER PRODUCTS, INC.

Description

ATCO's UPC #036 is a UL 181 Class 1 Air Duct and is manufactured with a tri-directional scrim reinforced metallized polyester jacket.

The UPC #036 inner core is air-tight and is designed for low-to-medium operating pressures in HVAC systems.

Construction

A double lamination of tough polyester encapsulates a steel wire helix to form the air tight inner core of ATCO's UPC# 036. The inner core is wrapped in a thick blanket of fiberglass insulation & sheathed in a rugged and durable, tri-directionally reinforced metallized polyester jacket.

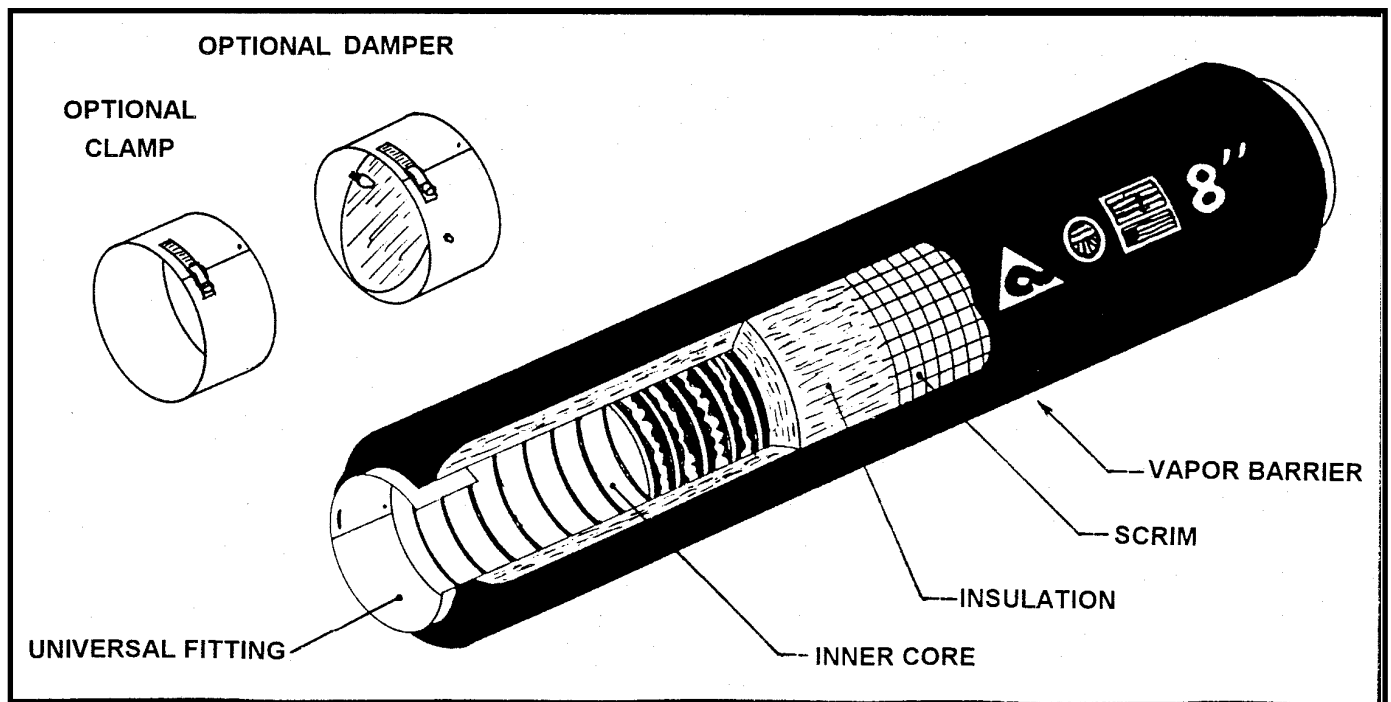
Applications

UPC #036 is designed for indoor use as a supply and return air duct in residential and commercial low-to-medium pressure heating and air conditioning systems. ATCO's UPC #036 can be used as a complete air duct system and/or a branch duct connecting to mixing boxes, diffusers, light troffers, room inlets, or other terminal devices.

Code Compliance*

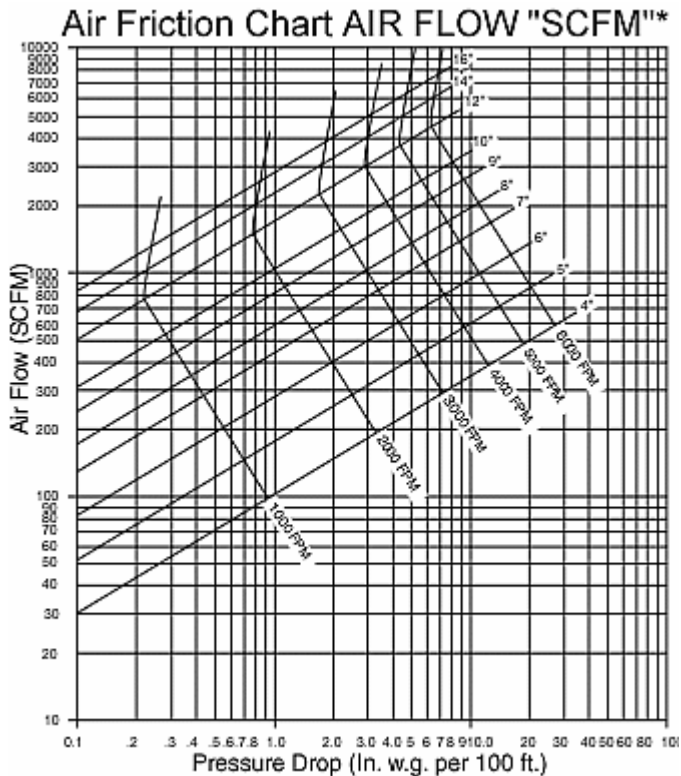
Meets requirements of Florida Energy Code. UL 181, UMC 10-1, SBCC, BOCA, NFPA 90A & 90B, HUD 515-2.1 (b), Cities of Chicago, New York & San Francisco, County of Dade (Florida), California State Fire Marshal.

*ATCO recommends that you check with the local code body having jurisdiction in your area to determine applicable codes.





Air Friction Chart *



STRAIGHT RUN

* FD 72-R1 Test Code of the Air Diffusion Council. Friction loss is computed in inches of water gauge per 100 ft. of straight duct. By using CFM or FPM values for a given duct dimension, the friction loss can be determined. Conversion of CFM to FPM also can be made.

Product Data

- Length: 6' or 7'
- Diameter: 4", 5", 6", 7", 8", 9", 10", 12", 14", 16", 18"
- Vapor Barrier: Reinforced Metallized Polyester
- End Treatment: Any Metal Collar, with jacket taped down
- Packaging: 3 pieces per carton

Warranty

Atco warrants that all flexible ducts will be free from defects in material and workmanship for a period of five years from the date of purchase only if the ducts are installed in accordance with Atco's installation instructions and under conditions specified in Atco's performance data. The buyer's exclusive remedies for any defect in the flexible ducts shall be replacement or refund of the purchase price, at Atco's option.

ATCO MAKES NO OTHER WARRANTIES, EXPRESS, IMPLIED, STATUTORY OR OTHERWISE. IN PARTICULAR, ATCO MAKES NO WARRANTY OF MERCHANTABILITY OR FITNESS FOR A PARTICULAR PURPOSE. ATCO SHALL HAVE NO LIABILITY TO THE BUYER OR ANY THIRD PARTY FOR INCIDENTAL OR CONSEQUENTIAL DAMAGES OF ANY KIND WHATSOEVER, INCLUDING, BUT NOT LIMITED TO, PERSONAL INJURY, PROPERTY DAMAGE, LOST PROFITS OR OTHER ECONOMIC INJURY DUE TO ANY DEFECT IN THE FLEXIBLE DUCTS.

MATERIALS AND SPECIFICATIONS FOR THE FLEXIBLE DUCTS ARE SUBJECT TO CHANGE WITHOUT NOTICE.

Distributed by:

UPC #036

Performance Data

- Rated Positive Pressure: 2" w.g. per UL-181 (UL Listed pressure ratings are determined in straight lengths @ ambient temperatures.)
- Recommended Operating Pressures: (Determined in a 90° bend at elevated temperatures in accordance with ADC FD 72-R1 Test Code.)
 - Maximum Positive: (With factory installed metal collars, 2" w.g. - all diameters)
 - Maximum Negative: 3 1/4" w.g. - all diameters
- Maximum Velocity: 5,000 FPM
- Vapor Transmission: .05 perms
- Maximum Operating Temperatures:
 - 20°F to 140°F Continuous (@ maximum pressure)
 - 20°F to 180°F Continuous (@ 2" pos. w.g. max.)
 - 20°F to 250°F Intermittent (@ 1 1/2" pos. w.g. max.)
- R Value: 6.0 (In accordance with ADC Flexible Duct Performance and Installation Standards (1991) using ASTM C-518 at installed wall thickness on flat insulation only.)
- Flame Spread: Less than 25
- Smoke Developed: Less than 50

INSTALLATION: Air duct connections and joints shall be made per installation instructions outlined by ATCO Rubber Products, Inc. and as required by the UL 181 listing procedure. (Installation instructions are included inside of each carton.)

Atco Shipping Locations

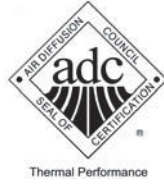


Baltimore, MD Greensboro, NC Cartersville, GA Plant City, FL
 Indianapolis, IN Springdale, AR Fort Worth, TX Houston, TX
 Phoenix, AZ Riverside, CA Sacramento, CA
 Vineland, NJ Wiggins, MS

ATCO RUBBER PRODUCTS, INC.
 CORPORATE HEADQUARTERS
 7101 ATCO DRIVE
 FORT WORTH, TEXAS 76118-7098
 PHONE: 817-595-2894
 1-800-USS-DUCT (1-800-877-3828)
 FAX: 1-800-366-3539 TELEEX: 758-510



Flexible Duct Systems



25' Insulated
UL 181
Class 1 Air Duct



UPC #030
R-Value 4.2

UPC #036
R-Value 6.0

UPC #031
R-Value 8.0

All thermal performance (R-Values) are classified by Underwriters Laboratories in accordance with ADC Flexible Duct Performance and Installation Standard (1991) using ASTM C-518 (1991), at installed wall thickness, on flat insulation only.

Description

ATCO #030, 036, and 031 are UL 181, Class 1 Air Ducts and are manufactured with a tri-directional fiberglass scrim reinforced, metallized polyester outer jacket. The inner core of all three products is air-tight and designed for low-to-medium operating pressures in HVAC systems. ATCO #036 and 031 have increased insulation for superior thermal performance.

Construction

A double lamination of tough polyester which encapsulates a steel wire helix forms the air-tight inner core of the ATCO #030, 036, and 031. The double-layer core of each product is wrapped in multiple thicknesses of fiberglass insulation. All three products are sheathed in a rugged and durable tri-directionally reinforced, metallized polyester jacket.

FEATURES & BENEFITS

- Air-tight Inner Core** - Energy efficient / No fiberglass erosion into air stream.
- Encapsulated Wire Helix** - No unraveling when cut to length / Quick installation
- Smooth Inner Core** - Low friction loss / Low operating cost.
- Thick Blanket of Fiberglass Insulation** - Energy efficient / Excellent thermal characteristics
- Tough Reinforced Metallized Polyester Jacket** - Tear and puncture resistant / Low maintenance.
- Lightweight Compact Carton** - Reduces warehouse and Jobsite handling cost.

APPLICATIONS & CODE COMPLIANCES*

ATCO #030, 036, and 031 are designed for indoor use as a supply and return air duct in residential and commercial low-to-medium pressure heating and air conditioning systems. All three models can be used as a complete air duct system and/or a branch duct connecting to mixing boxes, diffusers, light troffers, room inlets, or other terminal devices. UL 181, NFPA 90A & 90B, IMC, IRC, UMC 10-1, HUD 515-2.1 (b), Cities of Chicago, New York, San Francisco, County of Dade (Florida), California State Fire Marshal.*

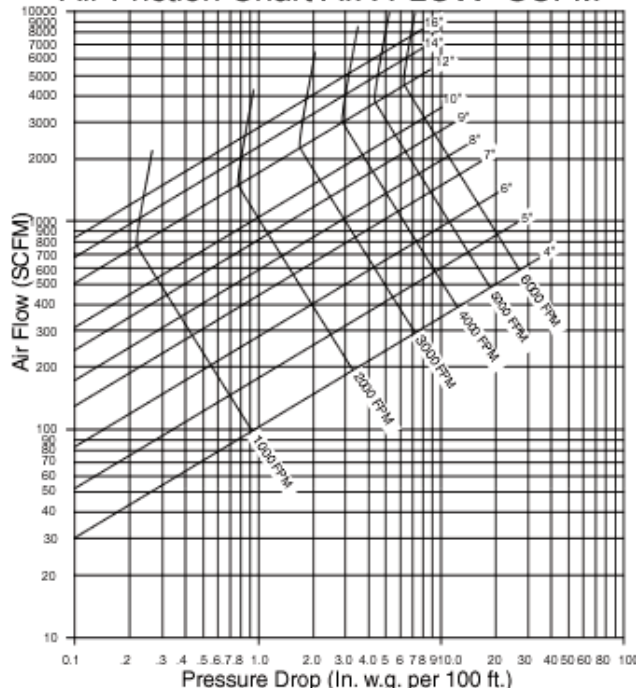
*ATCO recommends that you check with the local code body having jurisdiction in your area to determine applicable codes.



PRODUCT & PERFORMANCE DATA



Air Friction Chart AIR FLOW "SCFM"*



PRODUCT DATA

- Length: 25', 50' (Other lengths available as special order)
- Diameter: 3", 4", 5", 6", 7", 8", 9", 10", 12", 14", 16", 18", 20", 22"
- Vapor Barrier: Tri-directional, scrim reinforced metallized polyester
- End Treatment: 25', 50' -plain ends
- Packaging: 1 piece per carton

INSTALLATION

Air duct connections and joints shall be made per installation instructions outlined by ATCO Rubber Products, Inc. and as required by the UL 181 listing procedure.

(Installation instructions are included inside each carton.)

STRAIGHT RUN

* FD 72-R1 Test Code of the Air Diffusion Council. Friction loss is computed in inches of water gauge per 100 ft. of duct. By using CFM or FPM values for a given duct dimension, the friction loss can be determined. Conversion of CFM to FPM also can be made.



PERFORMANCE DATA



UPC #030
R-Value 4.2

UPC #036
R-Value 6.0

UPC #031
R-Value 8.0

- Rated Positive Pressure: 10" w.g. per UL-181 (UL Listed pressure) ratings are determined in straight lengths @ ambient temperatures.)
- Recommended Operating Pressures: (Determined in a 90° bend at elevated temperatures in accordance with ADC FD 72-R1 Test Code.)
 - Maximum Positive:
 - 6" w.g. - 4" thru 12" Dia.
 - 4" w.g. - 14" thru 20" Dia.
 - (With factory installed metal collars, 2" w.g. - all diameters)
 - Maximum Negative: 3/4" w.g. - all diameters
 - Maximum Velocity: 5,000 FPM

- Vapor Transmission: .05 perms
- Maximum Operating Temperatures:
 - 20°F to 140°F Continuous (@ maximum pressure)
 - 20°F to 180°F Continuous (@ 2" pos. w.g. max.)
 - 20°F to 250°F Intermittent (@ 1/2" pos. w.g. max.)
- Flame Spread: 25 max
Smoke Developed: 50 max



Warranty - ATCO warrants that all flexible ducts will be free from defects in material and workmanship for a period of five years from the date of purchase only if the ducts are installed in accordance with ATCO's installation instructions and under conditions specified in ATCO's performance data. The buyer's exclusive remedies for any defect in the flexible ducts shall be replacement or refund of the purchase price, at ATCO's option. ATCO MAKES NO OTHER WARRANTIES, EXPRESS, IMPLIED, STATUTORY OR OTHERWISE. IN PARTICULAR, ATCO MAKES NO WARRANTY OF MERCHANTABILITY OR FITNESS FOR A PARTICULAR PURPOSE. ATCO SHALL HAVE NO LIABILITY TO THE BUYER OR ANY THIRD PARTY FOR INCIDENTAL OR CONSEQUENTIAL DAMAGES OF ANY KIND WHATSOEVER, INCLUDING, BUT NOT LIMITED TO, PERSONAL INJURY, PROPERTY DAMAGE, LOST PROFITS OR OTHER ECONOMIC INJURY DUE TO ANY DEFECT IN THE FLEXIBLE DUCTS. MATERIALS AND SPECIFICATIONS FOR THE FLEXIBLE DUCTS ARE SUBJECT TO CHANGE WITHOUT NOTICE.

Manufacturing & Shipping Locations



Albuquerque, NM • Baltimore, MD • Cartersville, GA • Fort Worth, TX
Greensboro, NC • Houston, TX • Indianapolis, IN • Phoenix, AZ
Plainville, GA • Plant City, FL • Riverside, CA • Wiggins, MS
Sacramento, CA • Springdale, AR • Vineland, NJ

ATCO RUBBER PRODUCTS, INC.

CORPORATE HEADQUARTERS
7101 ATCO DRIVE
FORT WORTH, TEXAS 76118-7098
PHONE:(817) 595-2894
1-800-USS-DUCT (1-800-877-3828)
FAX: 1-800-366-3539 TELEX: 758-510
www.atcoflex.com