

## Application

The RD2 ceiling radiation damper employs butterfly style blades for point-of-origin control of radiant heat in HVAC systems. The RD2 is installed horizontally in the ceiling membrane of floor-ceiling or roof-ceiling assemblies with fire resistance ratings up to and including 3 hours.

## Standard Construction

**Frame:** 22 gauge (0.85) galvanized steel.

**Blades:** 22 gauge (0.85) galvanized steel – butterfly. Insulated with ceramic refractory material for dampers larger than 114 in.<sup>2</sup> (735 cm<sup>2</sup>).

**Fire Closure Device:** Fusible link.

**Fire Closure Temperature:** 165°F (75°C).

**Minimum Size:** 4" × 6" (102 × 152)

**Maximum Size:** 24" × 24" (610 × 610)

## Options

- Factory installed sleeve.
- Transitions (sleeve required):
  - Round  Oval  Square/Rectangular
  - Top  Bottom Side:  W  H  P  Q
  - Collar depth:  2" (51) Std.  4" (102)
- Plaster Ground  5/8" (16) deep × 5/8" (16) wide Std.
  - 1 1/4" (32) deep × 1 1/4" (32) wide
  - 2" (51) deep × 5/8" (16) wide  4" (102) deep × 5/8" (16) wide
- Flanged:  3/4" (19) Std.  1" (25)
- Alternate blade protection — drywall for dampers larger than 114 in.<sup>2</sup> (735 cm<sup>2</sup>).
- Alternate 212°F (100°C) fire closure temperature.
- VC — volume control device, factory mounted.
- Thermal blanket for steel backed diffuser: CRB-24 (Ceramic refractory blanket).
- WHI installation angle set:
  - 2 angles 1" × 1/2" × 28" long (25 × 13 × 711) × 20 ga. (1.0)
  - 2 angles 1" × 1/2" × 3" long (25 × 13 × 76) × 20 ga. (1.0)

## Ratings

**UL 555C Fire Resistance Rating:** 3 hour (horizontal, for use in 1, 2 or 3 hour rated assemblies)

## Listings

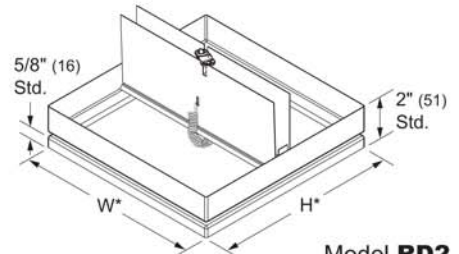
**UL 555C listing:** R14603

**CSFM listing:** 3226-0368:104

**Warnock Hersey listing #:** WHI-495-PSH-0177, -0178

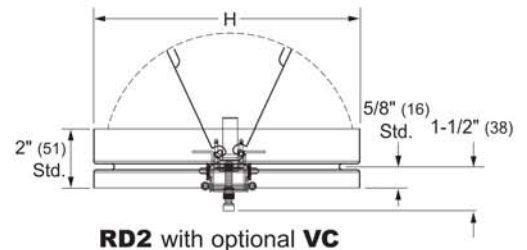
**Meets NFPA Standards:** 90A and 101

**Meets Building Code Standards:** IBC, NBC, NFPA, SBC and UBC

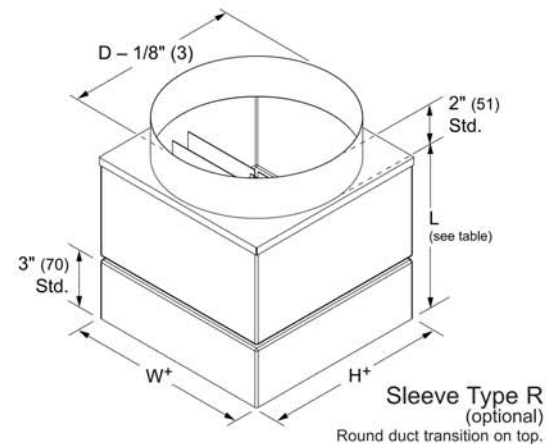


**Model RD2**  
(standard)

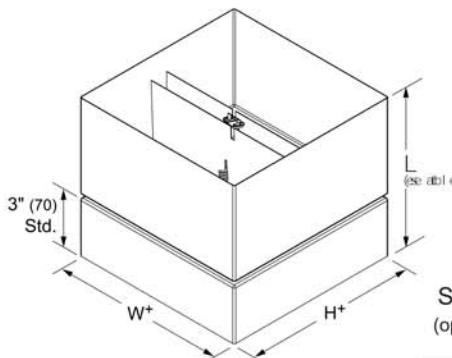
\*Damper dimensions furnished approximately 1/4" (6) under net O.D.



**RD2 with optional VC**



**Sleeve Type R**  
(optional)  
Round duct transition on top.

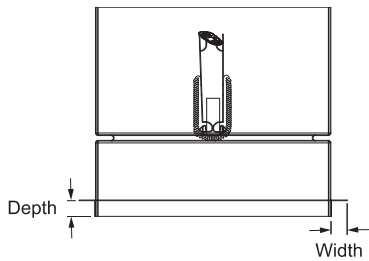
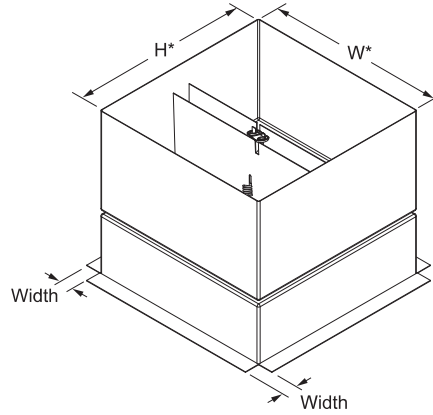
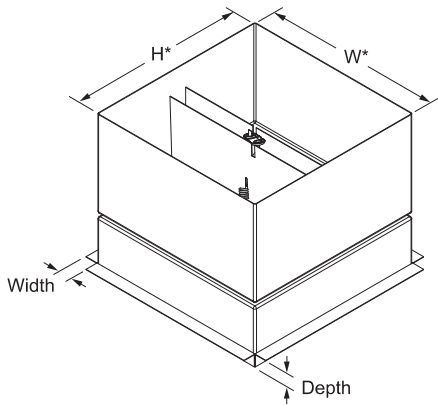


**Sleeve**  
(optional)

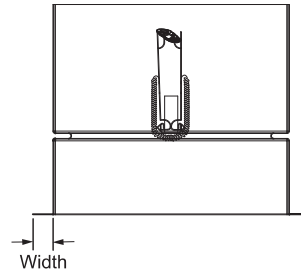
Sleeve Table	
Damper Height	Sleeve Length 'L'
H ≤ 10" (254)	8" (203)
10" (254) < H ≤ 14" (356)	10" (254)
14" (356) < H ≤ 18" (457)	12" (305)
18" (457) < H ≤ 22" (559)	14" (356)
H > 22" (559)	15" (381)

\*Damper dimensions furnished approximately net O.D.

# RD2 Sleeve with Flange and Plaster Ground Options



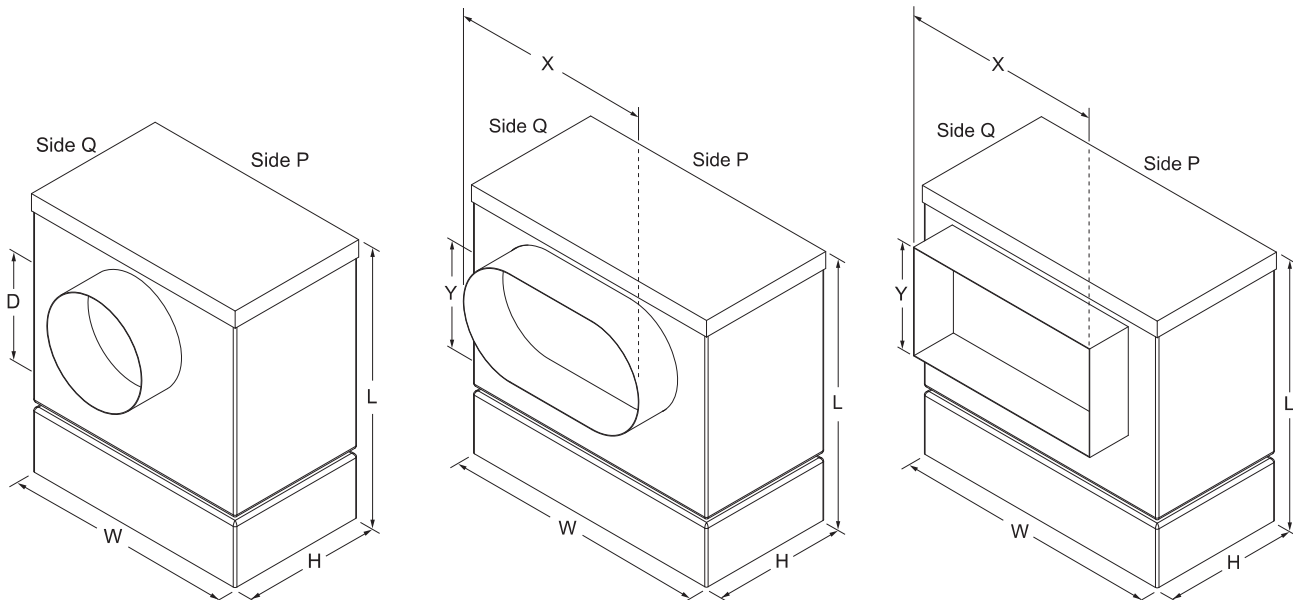
Sleeve (optional)  
With standard plaster ground.



Sleeve (optional)  
With standard flange.

\*Damper dimensions furnished approximately net O.D.

# Damper Size Limitations for Round, Oval and Square/Rectangular Duct Transitions



**Sleeve table  
for transistions**

"D" or "Y" Dimension	"L" Length
D or Y ≤ 7" (178)	11" (279)
7" (178) < D or Y ≤ 10" (254)	14" (356)
D or Y > 10" (254)	D or Y + 4" (102)

Information is subject to change without notice or obligation.

NOTE: Dimensions in parentheses ( ) are millimeters.