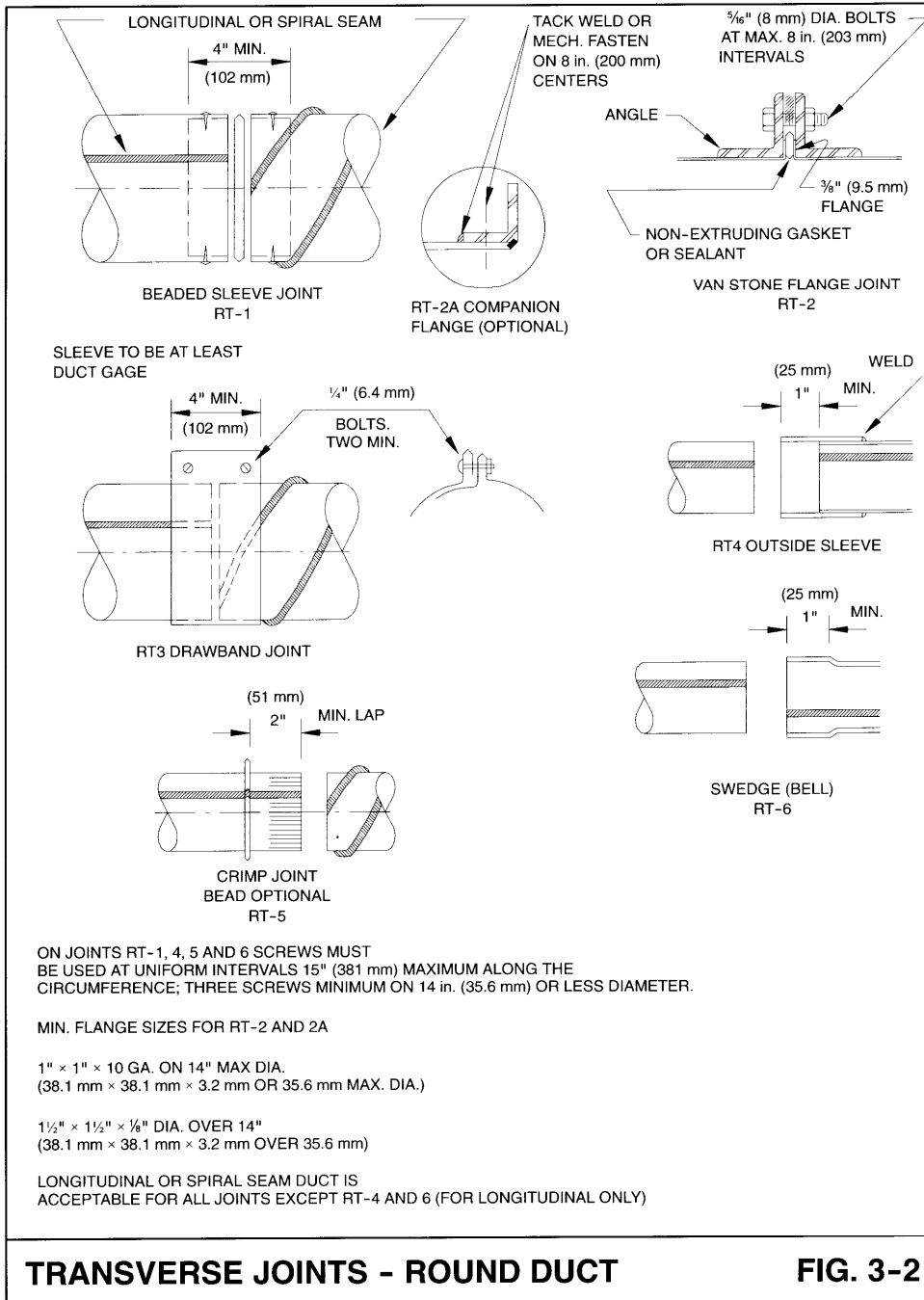


# PLENUMS + Sheet Metal Fabrication



**TRANSVERSE JOINTS - ROUND DUCT**

**FIG. 3-2**

