

Application

BD-10 backdraft dampers employ gravity operated butterfly style blades to restrict reverse airflow and to permit the forward flow of air in the intended direction. The BD-10 damper may be mounted vertically or horizontally in either exhaust or intake installations for low velocity and pressure applications.

Standard Construction

Frame: 22 ga. (0.85) galvanized steel.

Blades: 24 ga. (0.51) aluminum - butterfly

Seals: Neoprene blade edge seals.

Minimum Size: 5" x 5" (127 x 127)

Maximum Size: 36" x 24" (914 x 610)

Options

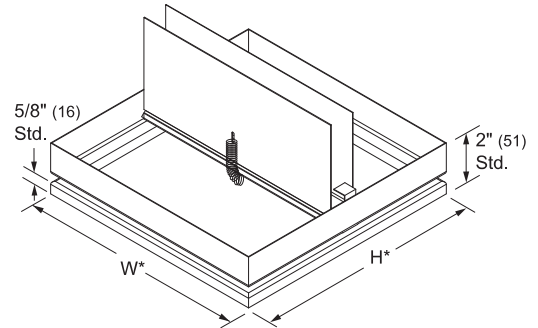
- Factory installed integral sleeve.
- Type-304 stainless steel construction.

Ratings

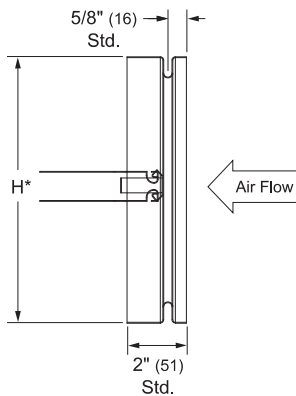
Maximum System Velocity: 1000 fpm (5.1 m/s)

Maximum System Pressure: 1 in. wg (0.25 kPa)

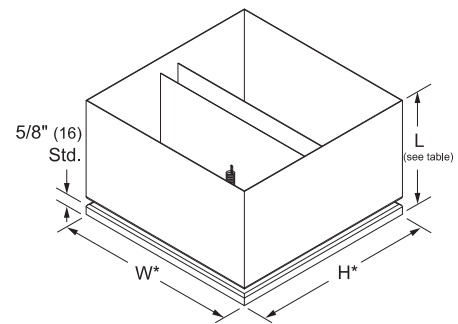
Temperature: -25°F to 150°F (-32°C to 66°C)



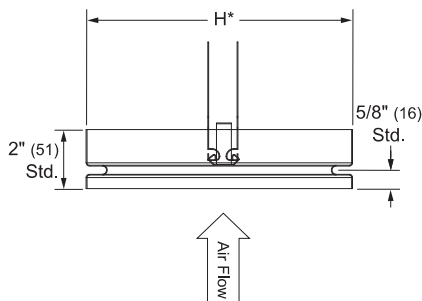
Model **BD-10**
(standard)



Vertical Mount



Sleeve
(optional)



Horizontal Mount

Type S Sleeve Table	
Damper Height	Sleeve Length 'L'
H ≤ 10" (254)	6" (152)
10" (254) < D ≤ 14" (356)	8" (203)
14" (356) < D ≤ 18" (457)	10" (254)
H > 18" (457)	12" (305)

*Damper dimensions furnished approximately 1/8" (3) undersize.

Information is subject to change without notice or obligation.

NOTE: Dimensions in parentheses () are millimeters.